

TIMKEN**The Timken Company**

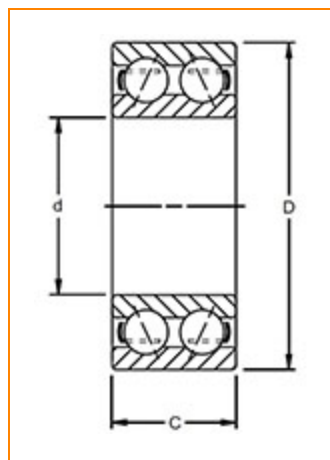
4500 Mt Pleasant St. NW

N. Canton, OH 44720

Phone: (234) 262-3000

E-Mail: CustomerCAD@timken.com • Web site: www.timken.com

Part Number 3209 ATN1/2RS, Timken® Double Row Angular Contact Ball Bearings (3200, 3300)



[Dimensions](#) | [Specifications](#) | [Basic Load Ratings](#) | [Abutment and Fillet Dimensions](#)

Dimensions

| | |
|--------------------|-----------------------|
| d - Bore | 45.00 mm 1.7717 in |
| D - Outer Diameter | 85.00 mm 3.3465 in |
| C - Ring Width | 30.2 mm 1.1890 in |
| Contact Angle | 30 ° |

Specifications

| | |
|-----------|---------------|
| Features | Contact Seals |
| Ball Type | STEEL |



| | |
|----------------|---------------------|
| Cage Type | Molded |
| Cage Material | Nylon |
| Bearing Weight | 0.71 Kg 1.563 lb |
| Design Units | METRIC |

Basic Load Ratings

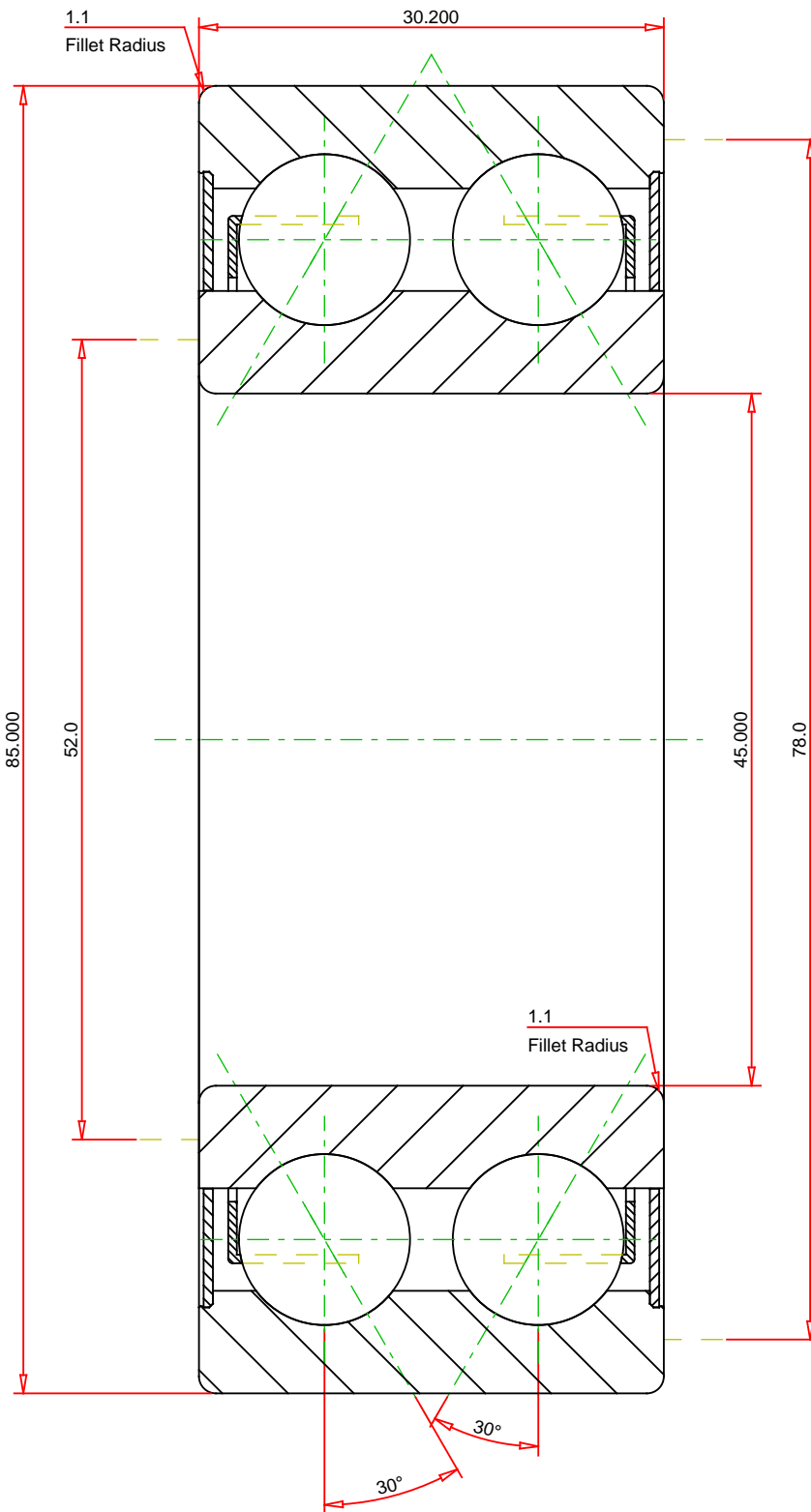
| | |
|--------------------------------|---------------------|
| C0 - Static Radial Rating | 32600 N 7327 lbf |
| C1 ISO - Dynamic Radial Rating | 40000 N 8991 lbf |

Abutment and Fillet Dimensions

| | |
|---|-----------------------|
| R - Inner Ring "To Clear" Radius ¹ | 1.10 mm 0.043 in |
| r - Outer Ring "To Clear" Radius ² | 1.10 mm 0.043 in |
| da - Inner Ring Backing Diameter | 52.0 mm 2.047 in |
| Da - Outer Ring Backing Diameter | 78.00 mm 3.0710 in |

¹ Maximum housing fillet radius that bearing corners will clear.

² Maximum shaft fillet radius that bearing corners will clear.



METRIC UNITS

| | |
|-------------------------|----------|
| Number of Balls Per Row | 10 |
| Bearing Weight | 0.710 kg |

TIMKEN®

THE TIMKEN COMPANY
NORTH CANTON, OHIO USA

3209 ATN1/2RS
Timken® Double Row Angular Contact Ball Bearings
(3200, 3300)

| | | |
|---------------------|-------|---|
| Dynamic Load Rating | 40000 | N |
| Static Load Rating | 32600 | N |

Every reasonable effort has been made to ensure the accuracy of the information contained in this writing, but no liability is accepted for errors, omissions or for any other reason.

FOR DISCUSSION ONLY